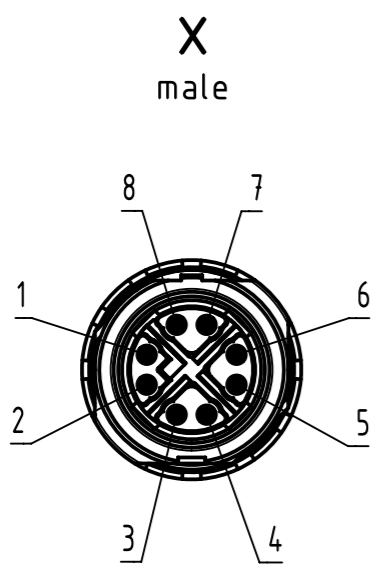
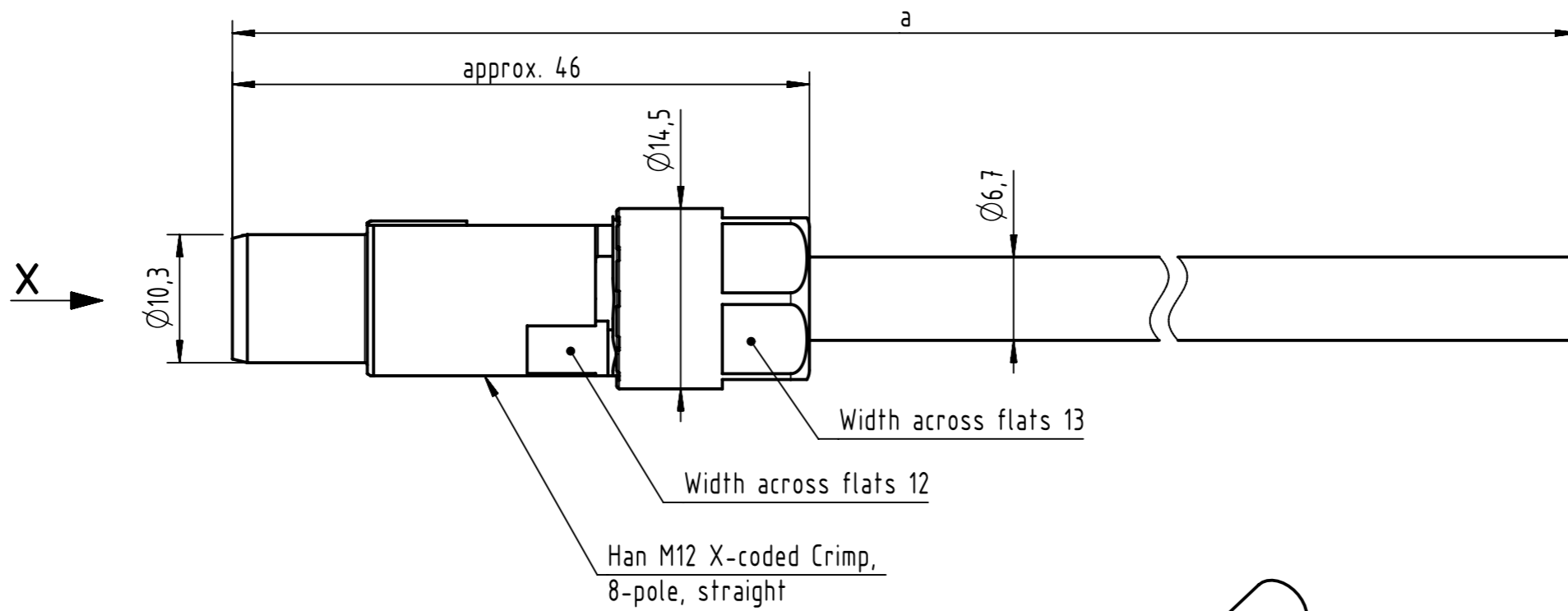


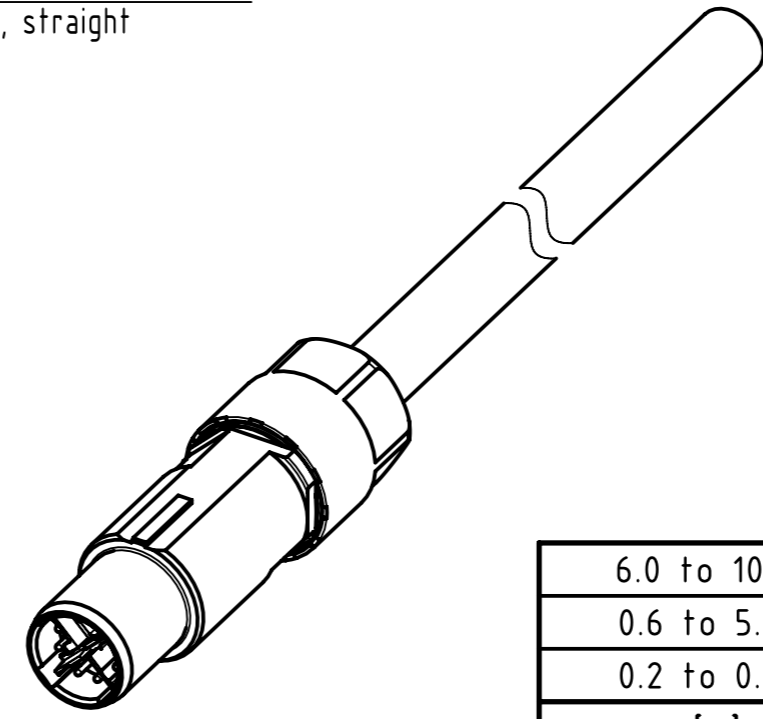
Connector Location A

Connector Location B



Loading Plan
acc. to TIA/EIA 568B

Shield
1 white/orange
2 orange
3 white/green
4 green
5 white/brown
6 brown
7 white/blue
8 blue



6.0 to 100	±1%
0.6 to 5.9	+0.04
0.2 to 0.5	+0.02
a [m]	Tolerance

length in "1m" step	100	XXX=000
	99	XXX=990
	.	.
	12	XXX=120
length in "0.1m" step	11	XXX=110
	10	XXX=100
	9.9	XXX=099
	9.8	XXX=098
	.	.
	0.5	XXX=005
	0.4	XXX=004
	0.3	XXX=003
0.2	XXX=002	
Step	a [m]	XXX

HARTING IE Cat.6A
4x2xAWG 26/7 PUR, yellow

Type of cable

0948C400756XXX

Part no.

NOTE:
 * Cat.6A 10 Gbit/s Ethernet transmission possible for lengths up to 45m
 - Temperature range: -40°C ... +80°C

	All rights reserved	Created by MUNTEANV Muntean	Inspected by COSTEA Costea	Standardisation MUNTEANV Muntean	Date 2022-03-31	State Final Release
	Department HCS - RO	Title Han M12 X-cod 8-pol m/- PUR		Doc-Key / ECM-Nr. 101002989/UGD/000/A 500000215038		
HARTING Customised Solutions D-32339 Espelkamp		Type TB	Number 0948C400756XXX		Rev. A	Page 1/1